

TECHNICAL ASSISTANCE

Regarding technical issues, please visit www.alpha-gamer.com or contact us through support@alpha-gamer.com.

ALPHA  GAMER

CE STATEMENT OF COMPLIANCE WITH EUROPEAN UNION DIRECTIVES

Alpha Gamer declares that this product is in compliance with the essential requirements and other relevant provisions from the following Directives: 2014/30/EU; 2011/65/EU, as applicable. The technical documentation required by the Conformity Evaluation process is in Alpha Gamer's possession and can be requested through support@alpha-gamer.com.

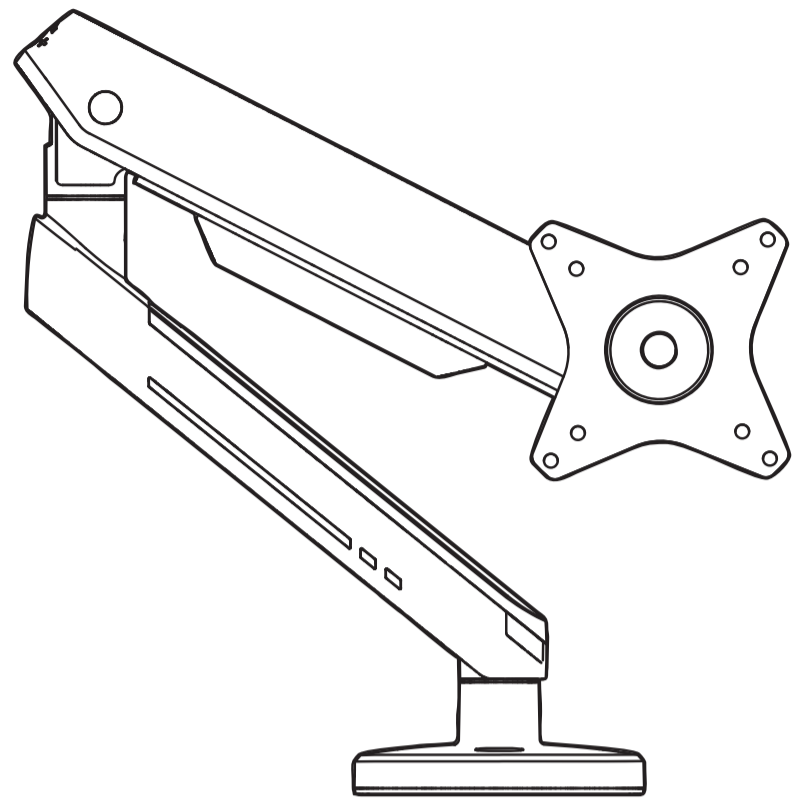


DISPOSAL OF BATTERIES AND ELECTRICAL OR ELECTRONIC EQUIPMENT WASTE

The existence of this symbol on the product, batteries or respective packaging, signifies that this product and the contained batteries can not be disposed as domestic waste. It is the user's responsibility to deliver this product at a batteries, electrical or electronic recycling pick-up point.

The pick-up and separate recycling contributes for the preservation of natural resources and suppresses potential negative consequences for the human health and the environment resultant of inadequate disposal of dangerous substances contained in batteries and electrical or electronic equipment.

For additional informations regarding batteries, electrical or electronic recycling pick-up points, please contact your local municipal services.



NAVI RGB

MONITOR ARM

ASSEMBLY GUIDE

